

Passive PoE Injector with cat5 Plug, cat5 Jack, cat5 cable

EZ-POEPA03

The new **EZ-POEPA02** Passive PoE Injector is made of TPEE material in an aesthetic package and is available with one RJ45 plug to act as “Data-In”, one RJ45 port to act as “PoE+Data out” and one power supply jack.

The new **EZ-POEPA02** indoor passive PoE Injector allows you to use your space efficiently when installing your wireless equipment through its small size and high manageability.



Features :

- **RJ45 Cat.5** Input Plug.
- **RJ45 Cat.5** Output Connector.
- Power/Data mixer.
- Small size.

TECHNICAL SPECIFICATIONS	
DC Input Voltage	48V ± 5 %
DC Output Voltage	48V ± 5 %
Max Output Current	0.4A Max.
Over Current Protection	None
Operating Temperature	0°C ~ +50°C
Storage Temperature	-20°C ~ +70°C
Humidity	Up to 90%
Weight	50gr
Dimensions	230x25x20mm
Package	PoE Injector in nylon bag

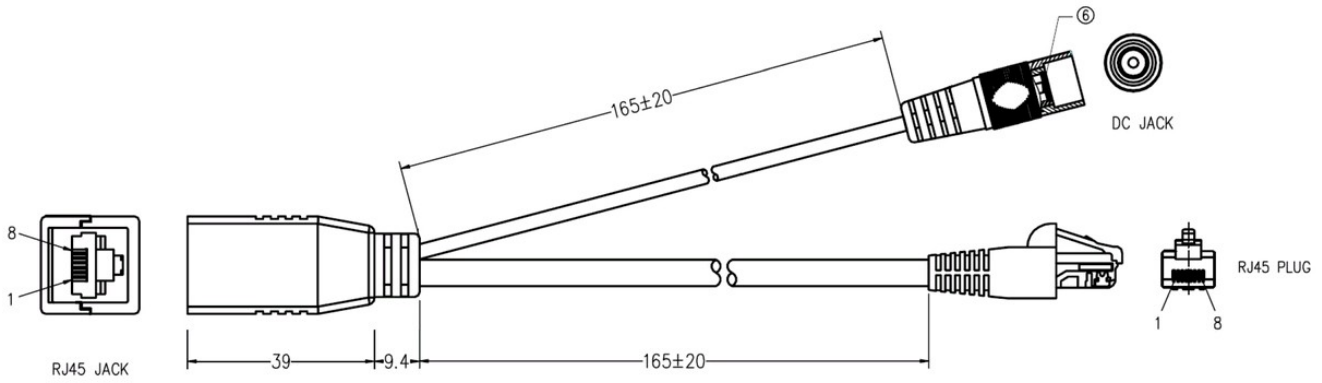
CONNECTION SPECIFICATIONS			
Input Pins / RJ-45 Plug		Output Pins / RJ-45 Jack	
Pin	Function	Pin	Function
1	Tx(+)	1	Tx(+)
2	Tx (-)	2	Tx (-)
3	Rx (+)	3	Rx (+)
4	N.C.	4	V+
5	N.C.	5	V+
6	Rx (-)	6	Rx (-)
7	N.C.	7	GND
8	N.C.	8	GND

Additional Images

Passive PoE Injector with cat5 Plug, cat5 Jack, cat5 cable

EZ-POEPA03

Dimensions



Schematics

