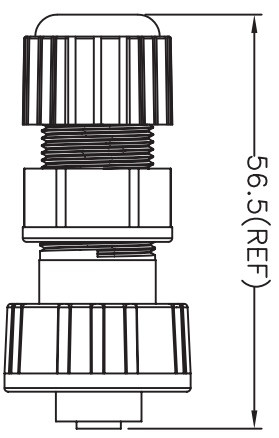
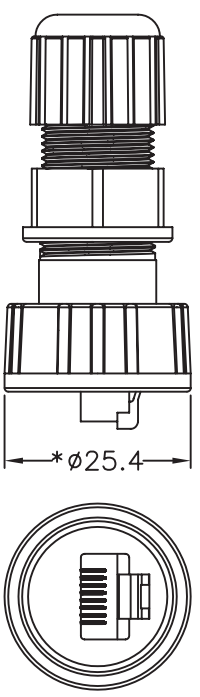
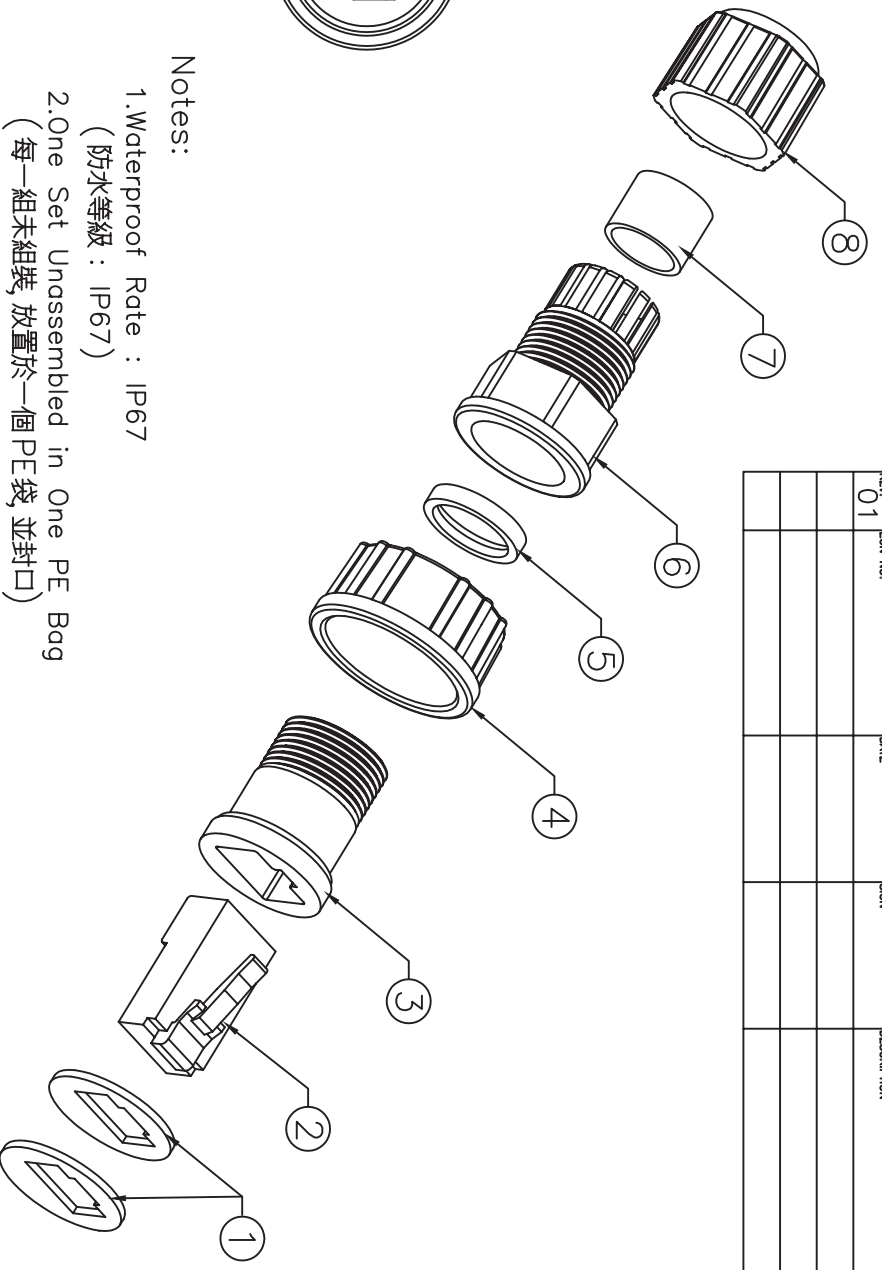


REV.	ECN NO.	DATE	SIGN	DESCRIPTION
01				



Notes:

1. Waterproof Rate : IP67
(防水等級 : IP67)
2. One Set Unassembled in One PE Bag
(每一組未組裝, 放置於一個PE袋, 並封口)
3. * Important Dimension.
(* 為重點檢驗尺寸)

APPROVED
SIGNATURE
DATE

NO.	NAME	COLOR	SPECIFICATION	QTY	NOTE
9	PE Bag		90*85mm(Sealed)	1	HPE009000085
8	Sealing Nut	Black	Nylon	1	ANC179XXX01
7	Seals	Black	EPDM	1	DGA0036EP70
6	Clamp Ring	Black	Nylon	1	ANC178XXX01
5	Gasket	Black	EPDM	1	DGA0034EP70
4	Screw Nut	Black	Nylon+GF	1	ANB152XXXX01
3	Body	Black	PC+ABS	1	ACA276XXX01
2	Plug		8P8C	1	CPLRJ04GD06
1	Gasket	Black	EPDM	2	DGA0068EP60

UNIT : mm		TITLE	8P8C Plug for Cable Assembly Type		Customer	Ituner Networks(USA)	
TOLERANCE		SCALE	1:1	SHEET	1	OF	1
.X	±0.25	REV.	01	DATE		SIZE	A4
.XX	±0.1						
.XXX	±0.05						
ANGLES	±1°						
ITEM NO	IN-PL-4UXASXX	DRAWN BY	Gao Ling		DATE	2004/11/02	
DWG NO	IN-PL-4UXASXX	CHECKED BY	龍向和		DATE	2004/11/02	
CUSTOMER	Ituner Networks(USA)	APPROVED BY	席武濤		DATE	2004/11/02	