



AVP322

22X Zoom Speed Dome Camera



Overview

Equipped with a 360° pan and 90° tilt base and 22X optical zoom lens, this speed dome camera is capable of following the moving object precisely with Intelligent Auto Tracking, and long-time operation with High Spindle Reliability. Moreover, its Friendly Graphical OSD Interface and Convenient Keyboard Controller Control support make the operation and surveillance simpler. With all these strong features, various demanding applications for safety surveillance can be easily achieved.

Features

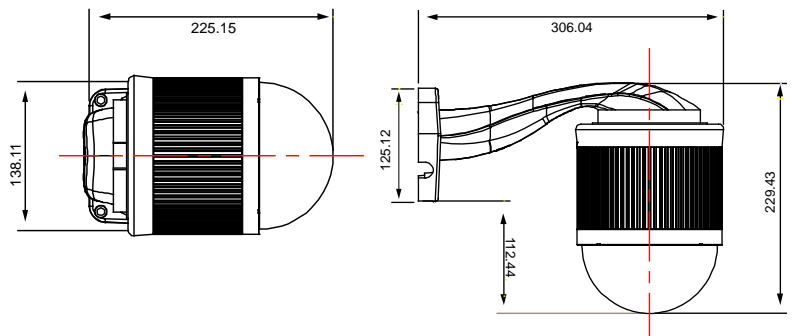
- ★ Advanced Auto Tracking Accuracy
 - to follow the moving object
- ★ Rigid & High-Speed Pan / Tilt Mechanism with Two-Million Rotation Test Passed
 - for longer operating lifetime
- ★ Pelco-D & Pelco-P Support
 - for higher compatibility
- ★ Flexible Color / Shutter Parameters Adjustment
 - to adapt various light conditions
- ★ Graphical On-Screen Display
- ★ Hot Point
- ★ Easy Operation via Keyboard Controller
- ★ Up to 256 preset points & eight preset groups, and Auto Scan
- ★ 1/4" Sony Color Super HAD CCD image sensor
- ★ High resolution of 480 TV Lines
- ★ High sensitivity in the dark environment, 0.3 Lux / F1.6
- ★ Signal-to-noise ratio of 48dB
- ★ The best cost / performance outdoor solution with IP67

Optional Peripheral



Keyboard Controller

Dimensions



SPECIFICATIONS

MODEL

AVP322

GENERAL

Signal System	NTSC or PAL
Pick-up Element	1/4" Sony Color Super HAD CCD image sensor
Number of Pixels	768(H) X 494(V)<NTSC> / 752(H) X 582(V)<PAL>
Resolution	480TV lines
Min. Illumination	0.3 Lux / F1.6
S/N Ratio	More than 48dB (AGC off)
Video Output	1.0Vp-p composite, 75Ω
BLC	On / Off
Gain Control	Low, Medium & High / Off
Sharpness	Low / Medium / High
White Balance	Auto / Indoor 1 / Indoor 2 / Sun / Cloudy * Indoor1 = 9000K; Indoor2 = 3000K; Sun = 5500K; Cloudy = 7000K
Camera Title	10 characters
Preset Points and Sequence	Total 8 groups, 256 programmable preset points * The sequence of all the preset points will follow the order of the minimal panning route.
Auto Tracking	Yes (combined with auto zoom focus tracking)

LENS

Focal Length	f 3.9 mm ~ f 85.9 mm
F-number	F1.6 (Wide) ~ 3.7 (Tele)
Viewing Angle	4°C ~ 60°C
Auto Electronic Shutter	1 / 60 (1/50) to 1 / 100,000 sec.
Auto Focus	Manual / Auto

MECHANISM

Pan Range	360°
Pan Speed	360°/ 1 sec * The pan speed can be adjusted according to the different pan speed mode.
Tilt Range	90°
Tilt Speed	0° ~ 90° under 1 sec
Zoom Ratio	22X optical zoom
Zoom Speed	Approx. 7s (Tele ~ Wide)

OTHERS

IP Rating	IP67
Ambient Operating Temperature	-10°C ~ 40°C (14°F ~ 104°F)
Power Source	(±10%) DC12V
Current Consumption	1.5 A (max)
Dimension (mm)**	145(Ø) x 184(H)
Gross Weight (g)	Approx. 1.2 kg
Optional Bracket	Wall-mounted
Optional Device	Keyboard controller

* The specifications are subject to change without notice.

* Dimensional Tolerance: ±5mm