

# N-Type Plug Crimp connector for 240 series cable

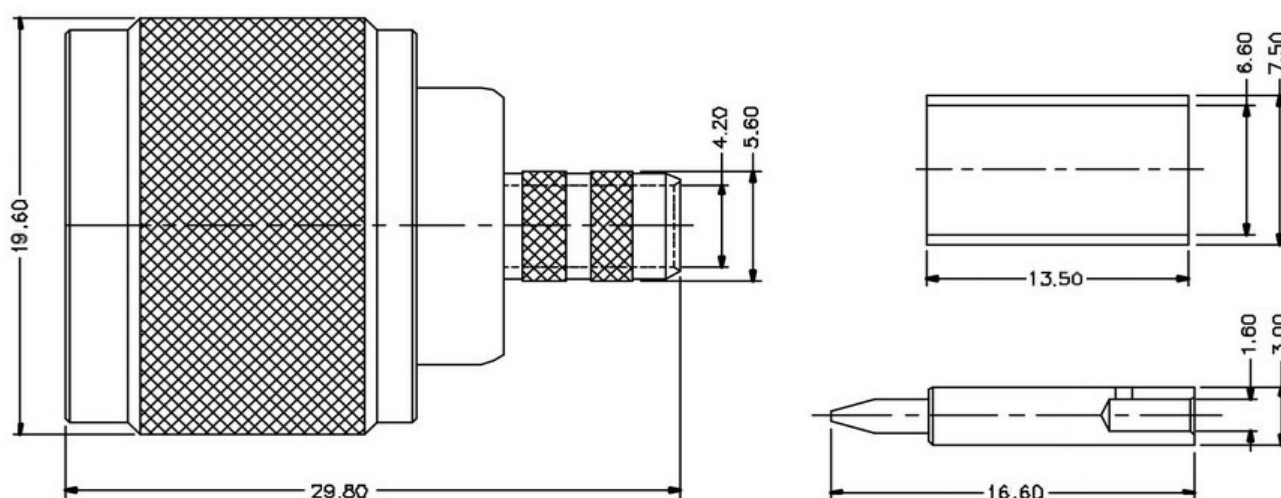
## EZ-NM240

**N-Type Plug** Crimp connector for 240 series cable.

N Series coaxial connectors are medium-sized, threaded coupling connectors designed for use from DC to 11 GHz.

Their consistently low broadband VSWR have made them popular over the years in many applications.

The N series connector is impedance matched to 50 ohm cables.



### TECHNICAL SPECIFICATIONS

Impedance	50 ohm
Frequency Range	0 to 11.0 GHz
V.S.W.R.	1.3 max
Working Voltage	1,000 volts rms max at sea level
Dielectric Withstanding Voltage	2,500 volts rms max at sea level
Contact Resistance	Center contact=1.0 Milliohms max
Contact Resistance	Outer contact=1.0 Milliohms max
Insertion Loss	0.3 dB max at 10 GHz
Insulation Resistance	5,000 Megohms min
Body (Material/Finish)	Brass/Nickel
Center Pin (Material/Finish)	Bronze/Gold
Crimp Tube (Material/Finish)	Annealed Copper/Nickel
Dielectric	Teflon

### Connector

N-Type



Female Thread

Male Center Pin

### Additional Images

