

# Passive PoE Injector with cat5 cable

## EZ-POEPA05

The new **EZ-POEPA05** Passive PoE Injector is made of TPEE material in an aesthetic package and is available with one RJ45 port to act as “PoE+Data out”, one RJ45 plug to act as “Data-In”, and one power supply plug.

The new **EZ-POEPA05** indoor passive PoE Injector allows you to use your space efficiently when installing your wireless equipment through its small size and high manageability.



### Features :

- Shielded RJ45 Output Connector.
- Standard RJ45 Input Connector
- Input/Output Common Ground.
- Power/Data Injector.
- Ethernet switches expand to Wireless AP.
- Small size.

### TECHNICAL SPECIFICATIONS

DC Input Voltage	12-48V ± 5 %
DC Output Voltage	12-48V ± 5 %
Max Output Current	0.4A Max.
Over Current Protection	None
Operating Temperature	0°C ~ +50°C
Storage Temperature	-20°C ~ +70°C
Humidity	Up to 90%
Weight	50gr
Dimensions	160x25x20mm
Package	PoE Splitter in poly bag



### CONNECTION SPECIFICATIONS

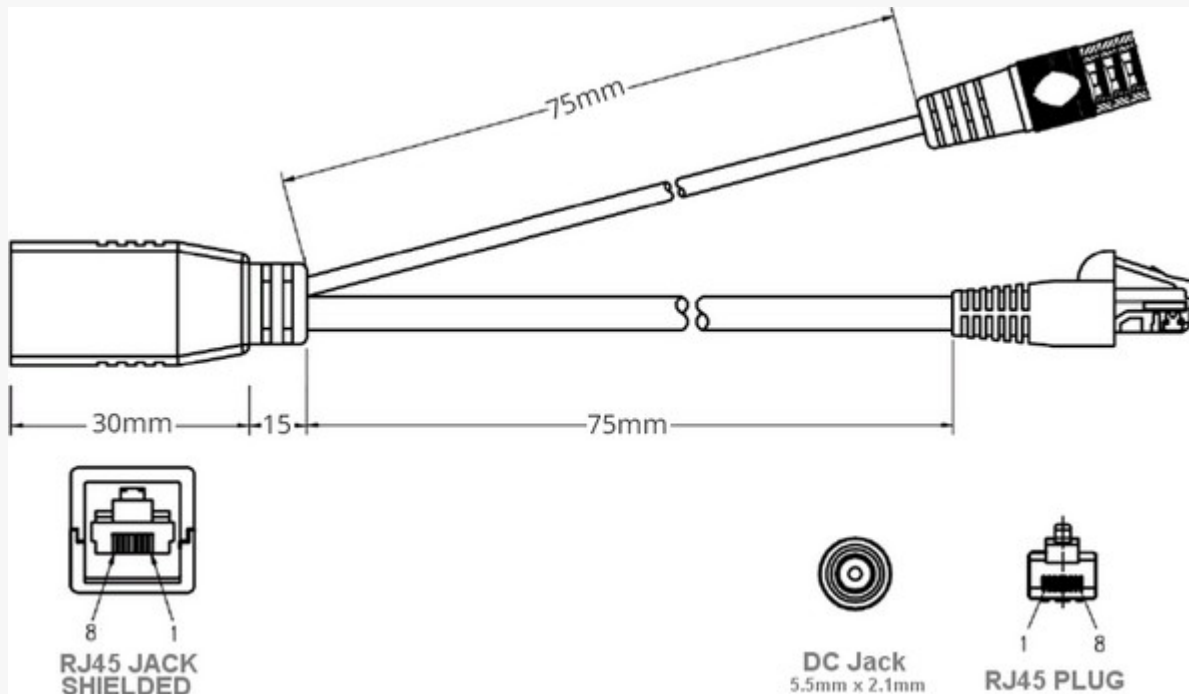
Output Pins / RJ-45 Jack		Input Pins / RJ-45 Plug	
Pin	Function	Pin	Function
1	Tx(+)	1	Tx(+)
2	Tx (-)	2	Tx (-)
3	Rx (+)	3	Rx (+)
4	<b>V+</b>	4	N.C.
5	<b>V+</b>	5	N.C.
6	Rx (-)	6	Rx (-)
7	<b>GND</b>	7	N.C.
8	<b>GND</b>	8	N.C.



# Passive PoE Injector with cat5 cable

## EZ-POEPA05

### Dimensions



### Schematics

