

# Passive PoE Splitter with cat5 cable

## EZ-POEPS03

The new **EZ-POEPS03** Passive PoE Splitter is made of TPEE material in an aesthetic package and is available with one RJ45 port to act as “PoE+Data in”, one RJ45 plug to act as “Data-Out”, and one power supply plug.

The new **EZ-POEPS03** indoor passive PoE Splitter allows you to use your space efficiently when installing your wireless equipment through its small size and high manageability.



### Features :

- Shielded RJ45 Input
- Standard RJ45 Output.
- Input/Output Common Ground.
- Power/Data Splitter.
- Ethernet switches expand to Wireless AP.
- Small size.

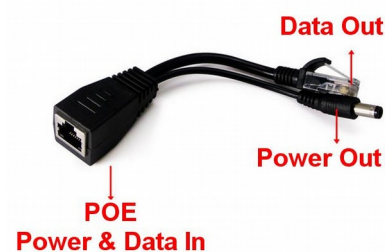
### TECHNICAL SPECIFICATIONS

DC Input Voltage	12-48V ± 5 %
DC Output Voltage	12-48V ± 5 %
Max Output Current	0.4A Max.
Over Current Protection	None
Operating Temperature	0°C ~ +50°C
Storage Temperature	-20°C ~ +70°C
Humidity	Up to 90%
Weight	50gr
Dimensions	160x25x20mm
Package	PoE Splitter in nylon bag



### CONNECTION SPECIFICATIONS

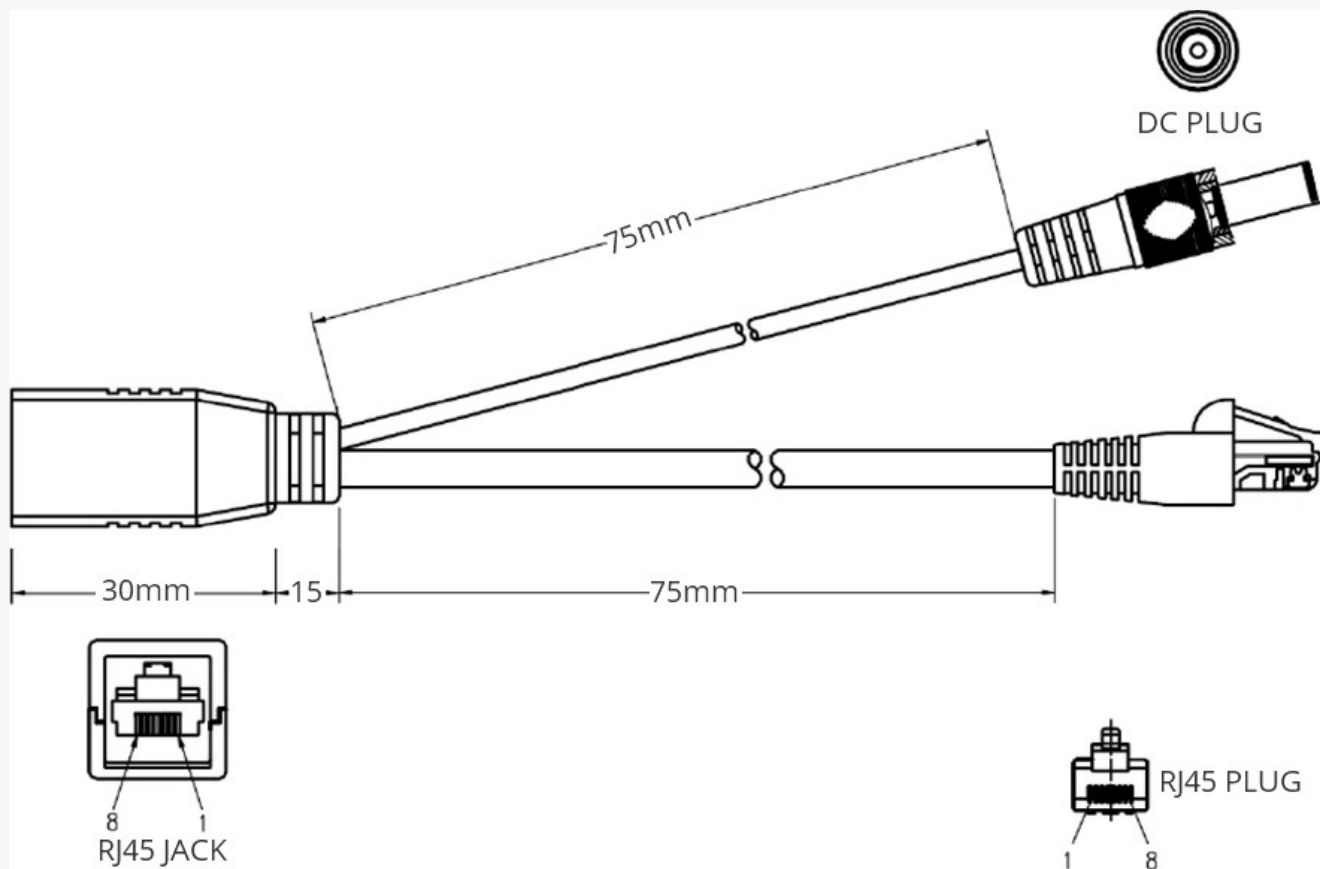
Input Pins / RJ-45 Plug		Output Pins / RJ-45 Jack	
Pin	Function	Pin	Function
1	Tx(+)	1	Tx(+)
2	Tx (-)	2	Tx (-)
3	Rx (+)	3	Rx (+)
4	<b>V+</b>	4	N.C.
5	<b>V+</b>	5	N.C.
6	Rx (-)	6	Rx (-)
7	<b>GND</b>	7	N.C.
8	<b>GND</b>	8	N.C.



# Passive PoE Splitter with cat5 cable

## EZ-POEPS03

### Dimensions



### Schematics

