

2.4GHz 5.5dBi OMNI N-Type Male Rubber Ducky Antenna

EZ-RD24R05INM

The new **EZ-RD24R05INM** OMNI Rubber Ducky Antenna is made from TPEE Material with steel base and is available with an integrated N-Type Male connector.

The new EZ-Xtender indoor range extender antennas are designed to allow you to get more range out of your existing indoor wireless equipment.

The antenna features high gain in an aesthetic package. Because of their high gain the user can expect extra signal strength when compared to the standard 5.5dBi rubber duck antenna which comes standard on many wireless equipment. This will increase range and signal strength to allow the wireless equipment to operate at optimal speed.

With it's high gain performance it can effectively extend the signal strength and give increased operational range to existing wireless equipment.

It is only 21cm in length and is available with N-Type Male (Female thread, male center pin.)

The **EZ-RD24R05INM** is ideally suited for MultiPoint applications where wide coverage is desired.

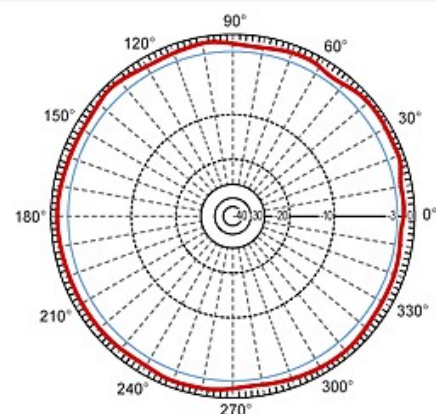
Features :

- Superior performance.
- Standard N-Type Male connector.

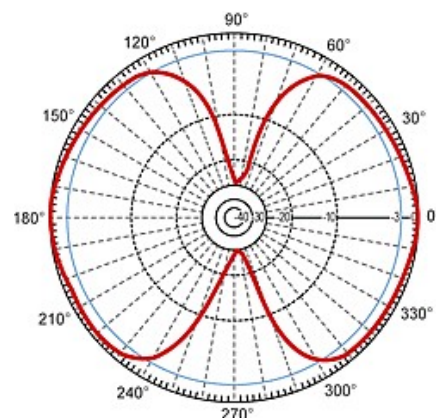


TECHNICAL SPECIFICATIONS

Frequency	2400-2485MHz
Gain	5.5dBi
Polarization	Vertical
Bandwidth	83,5 Mhz
Horizontal BeamWidth	360°
Nominal Impedance	50 Ohm
Max. Power	25 Watts
VSWR	<2.0
Weight	35 gr
Length	213 mm
Diameter	13,4 mm
Radome Material	TPEE
Radome Color	Black
Working Temperature	-40° to 55°
Connector	N-Type Male



H-Plane Pattern



E-Plane Pattern

Additional Images

