

## 2.4GHz 5.5dBi OMNI SMA Plug Rubber Ducky Antenna

## EZ-RD24R05ISM

The new **EZ-RD24R05ISM** OMNI Rubber Ducky Antenna is made from TPEE Material with steel base and is available with an integrated SMA Plug connector.

The new EZ-Xtender indoor range extender antennas are designed to allow you to get more range out of your existing indoor wireless equipment.

The antenna features high gain in an aesthetic package. Because of their high gain the user can expect extra signal strength when compared to the standard 5.5dBi rubber duck antenna which comes standard on many wireless equipment. This will increase range and signal strength to allow the wireless equipment to operate at optimal speed.

With it's high gain performance it can effectively extend the signal strength and give increased operational range to existing wireless equipment.

It is only 21cm in length and is available with SMA Plug (Female thread, male center pin.)

The **EZ-RD24R05ISM** is ideally suited for MultiPoint applications where wide coverage is desired.

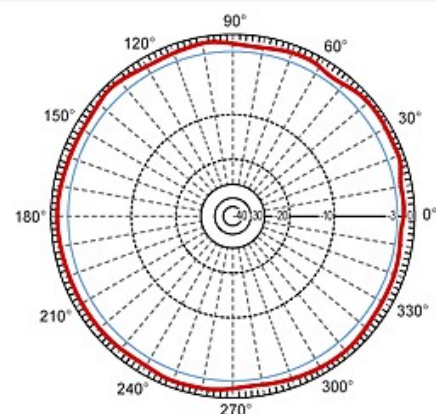
### Features :

- Superior performance.
- Standard SMA connector.

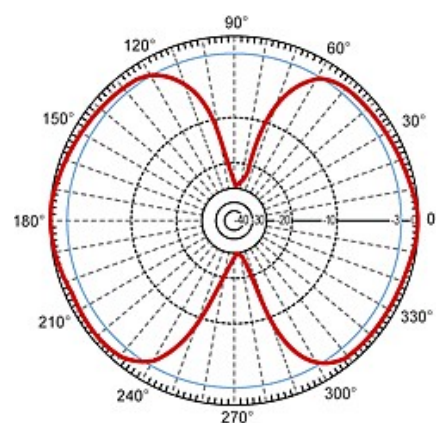


### TECHNICAL SPECIFICATIONS

Frequency	2400-2485MHz
Gain	5.5dBi
Polarization	Vertical
Bandwidth	83,5 Mhz
Horizontal BeamWidth	360°
Nominal Impedance	50 Ohm
Max. Power	25 Watts
VSWR	<2.0
Weight	26 gr
Length	212 mm
Diameter	13,4 mm
Radome Material	TPEE
Radome Color	Black
Working Temperature	-40° to 55°
Connector	SMA



H-Plane Pattern



E-Plane Pattern

### Additional Images

