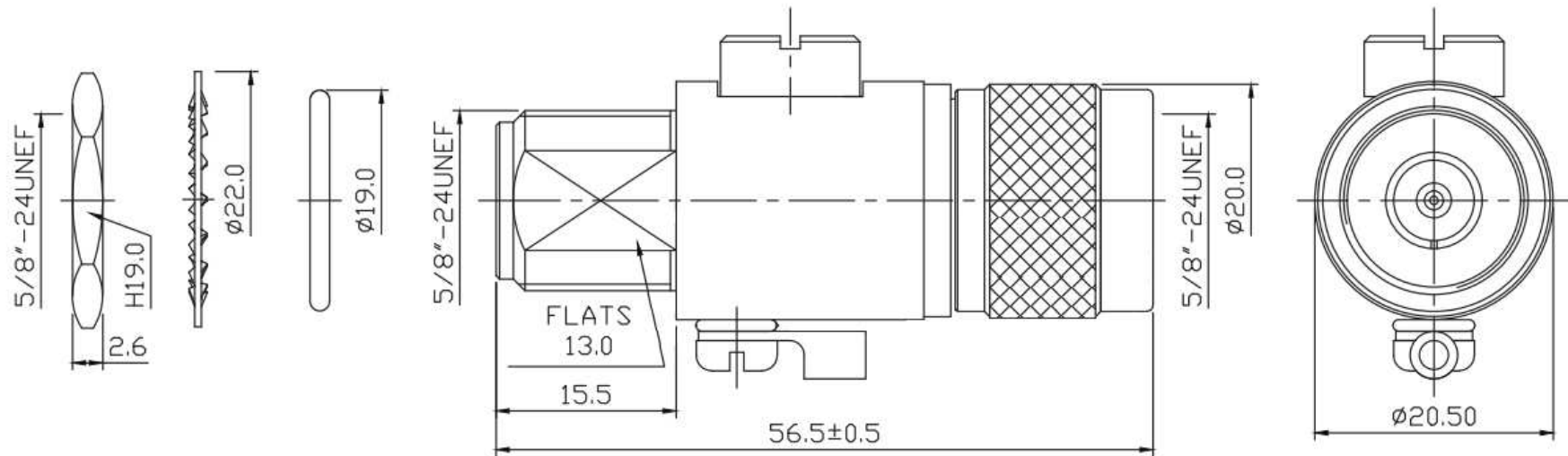
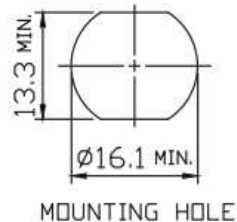


REMARK: RoHS COMPLIANT



NOTES:

1. Impedance: 50 ohm
2. Frequency: DC 0~6 GHz
3. VSWR: 1.5 Max.
4. Gas Tube DC Spark Over Voltage: 90V



MATERIAL / FINISH

1. BODY: BRASS / NICKEL
2. INSULATOR: PTFE
3. CONTACT: BRASS / GOLD
4. GAS TUBE
5. SHELL: BRASS / NICKEL

6. TERMINAL: BRASS / TIN
7. O-RING: SILICONE
8. NUT: BRASS / NICKEL
9. WAHSER: BRASS / NICKEL
10. SREW: STEEL / NICKEL

THIRD ANGLE	UNIT	DATE	TITLE : 0-6GHz Lightning Arrester N-Type Male to N-Type Female Bulkhead
	MM	2012-12-11	
DRAWING BY	APPROVED BY	VERSION	Part Number : EZ-SA6MNB (762)
Shu Wei Lin	Jimmy Chen	A	



Room 304 Dominion Center
43 Queens Rd East, Wan Chai
Hong Kong