

U.FL/MHF to SMA Female Bulkhead 25cm

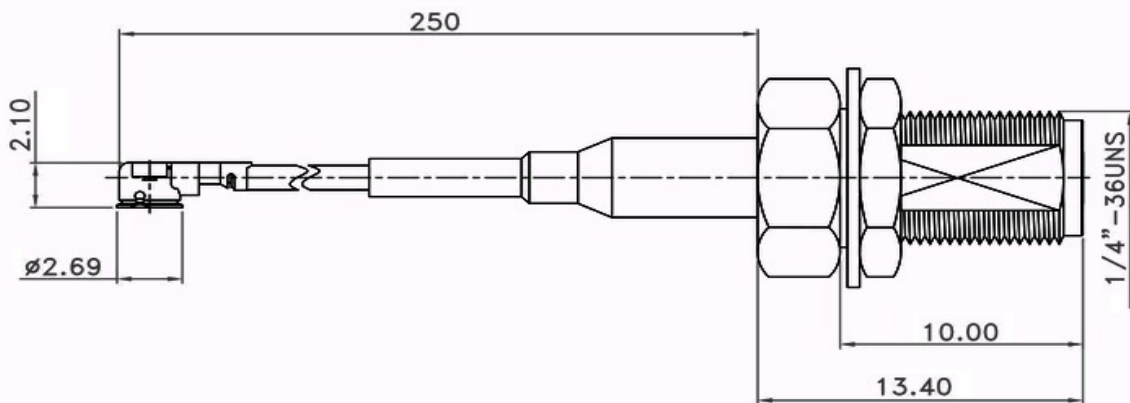
EZ-UFL2SMAB25

U.FL/MHF to SMA Female Bulkhead 25cm.

UFL to SMA series coaxial pigtails have medium-sized, threaded coupling connectors designed for use from DC to 11 GHz.

Their consistently low broadband VSWR have made them popular over the years in many applications.

The UFL to SMA series pigtail is impedance matched to 50 ohm cables.



TECHNICAL SPECIFICATIONS

Impedance	50 ohm
Frequency Range	0 to 11.0 GHz
V.S.W.R.	1.3 max
Working Voltage	1,000 volts rms max at sea level
Dielectric Withstanding Voltage	2,500 volts rms max at sea level
Contact Resistance	Center contact=1.0 Milliohms max
Contact Resistance	Outer contact=1.0 Milliohms max
Insertion Loss	< 2,5 dB
Insulation Resistance	5,000 Megohms min
Connector Body (UFL/RP-SMA)	(Gold /Gold) Plated
Center Pin	Gold Plated
Dielectric	Teflon
O-Ring	Not Present
Cable Type	RG178

Connector 1

UFL



Female Body
Female Center Pin

Connector 2

SMA



Male Thread
Female Center Pin

Additional Images

